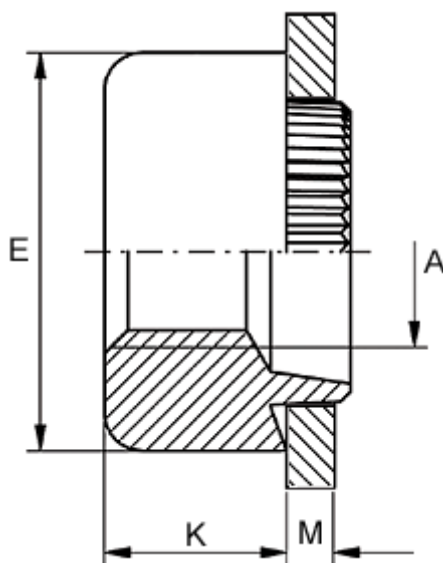


Article number: 12724000060120
Description: KLEE-coil 724 000 060.120
M6 Steel, zinc-pl. & chr. yellow

Measures



Female thread A	= M6
Height K	= 5.0
Outer diameter E	= 10.0
Plate thickness	= 0.9 to 1.0
Recommended bore diameter +0.05	= 8.0